

System Settings Options

AUTO REVIEW	Set time of review after picture is taken (off, 1 sec, 3 sec).
POWER FREQUENCY	20Hz / 60Hz The Camera's default setting is 60Hz for the USA and North America.
POWER SAVE	Select off, 1, 3, or 5 minutes. To conserve battery power, the camera will shut off if no buttons are pressed within the selected time.
DATE & TIME	Set the camera's date and time.
LANGUAGE	Set the camera's language.
FORMAT	Erase all data on the SD card.
RESET ALL	Reset the camera's settings to factory default.

Picture Mode Settings Options

RESOLUTION	TW (1280x960) / 3M (2048x1536) / 5M (2592x1944)
QUALITY	Higher picture resolution takes up more space on the SD card.
EXPOSURE	Super Fine / Fine / Normal
METERING	Center / Multi / Spot
WHITE BALANCE	Auto / Daylight / Cloudy / Fluorescent / Tungsten
EXPOSURE	Adjust the exposure
DRIVER MODE	"Off" (disables the self timer), "2" or "10" second options (self timer), "Burst" (3 frame shot)
EFFECT	Normal / B&W / Sepia / Negative / Red / Green / Blue
DATE STAMP	OFF / DATE / DATE & TIME

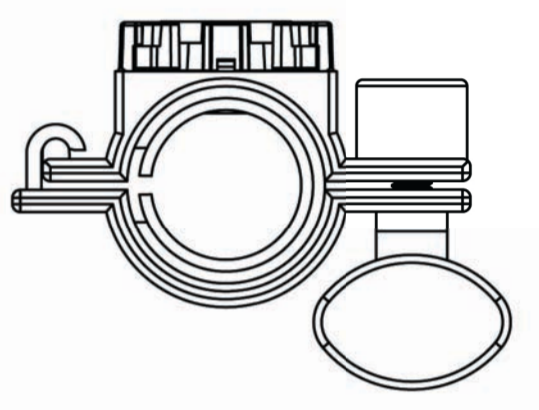
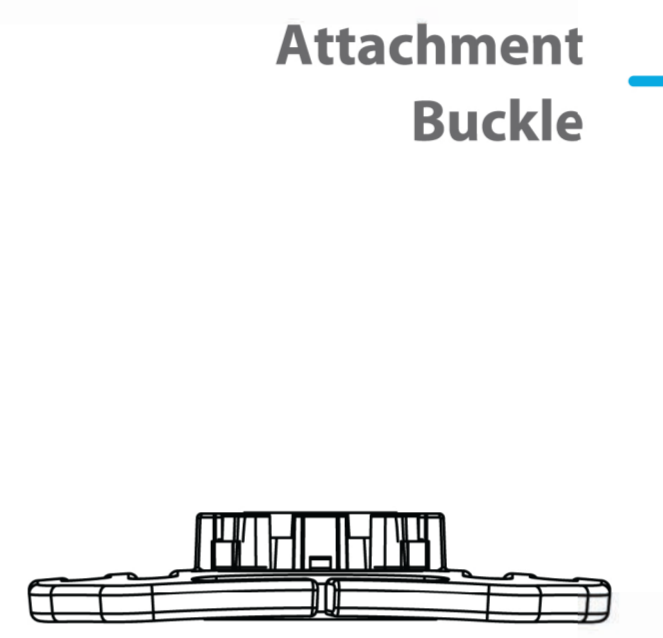
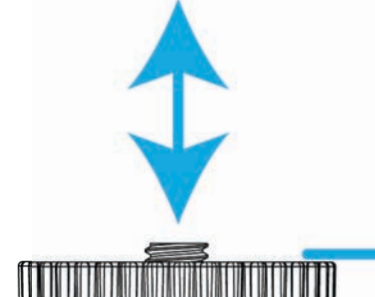
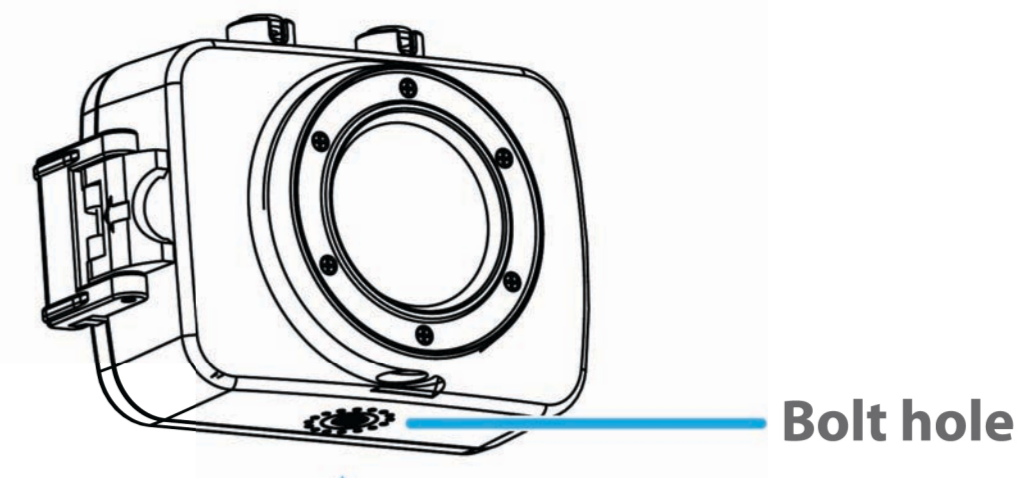
Video Mode Settings Options

MOVIE SIZE	HD 1280x720 / 640x480 / 320x240
RECORDING INTERVAL	Select OFF, 1, 3, or 5 minutes.
METERING	Center / Multi / Spot
WHITE BALANCE	Auto / Daylight / Cloudy / Fluorescent / Tungsten
EFFECT	NOR / B&W / SEPIA / NEGATIVE / RED / GREEN / BLUE
DATE STAMP	OFF / DATE / DATE & TIME

Playback Mode Settings Options

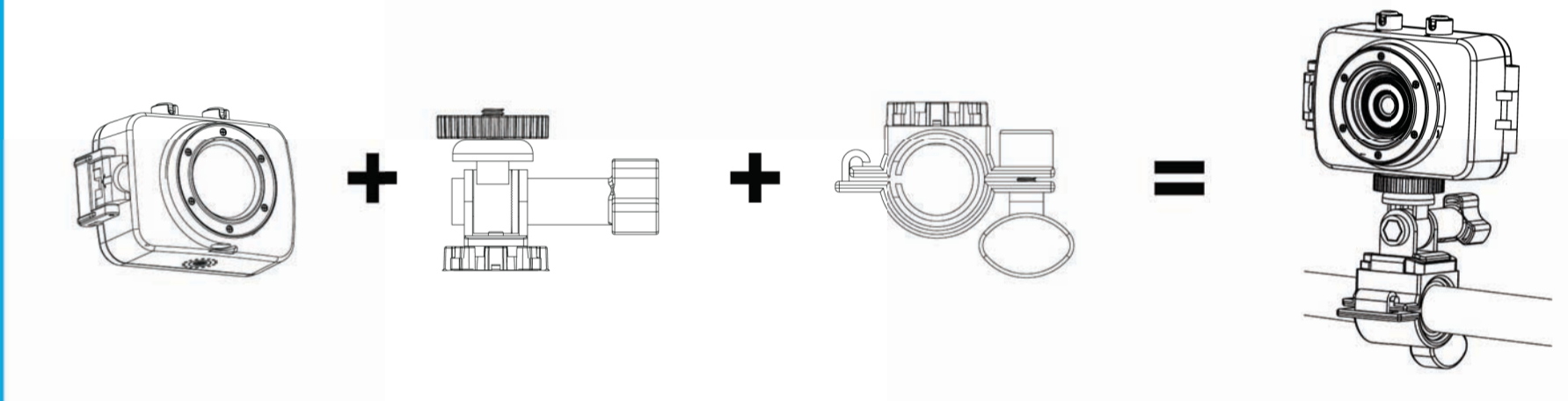
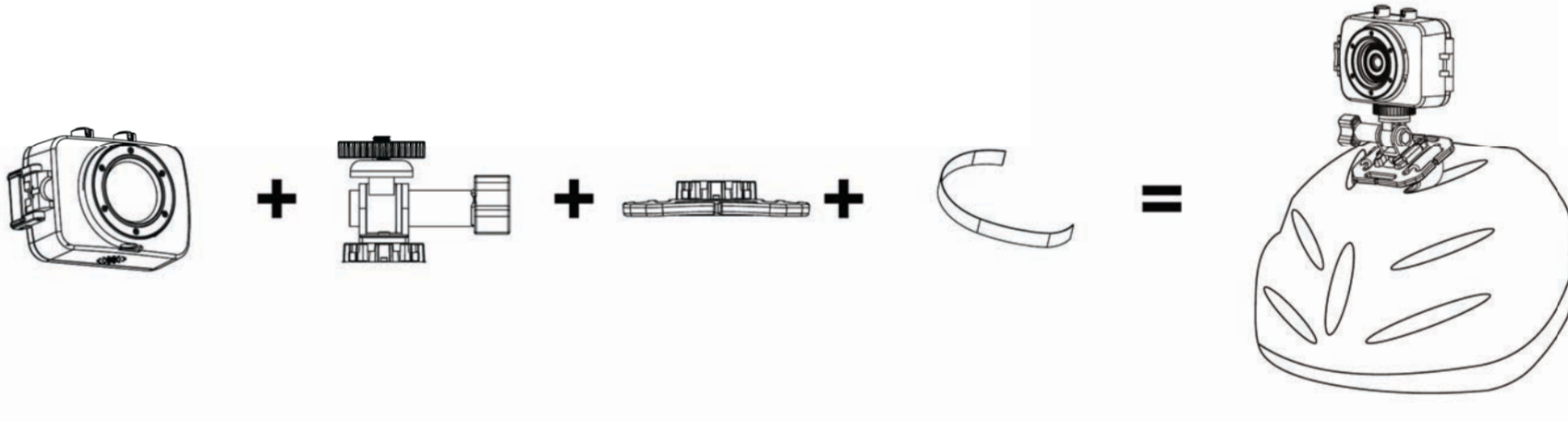
LOCK	Lock one or all of your picture and video files. When locked the files will not be deleted.
DELETE	"One" (Delete the currently displayed video or picture) or "All"
SLIDE SHOW	Start a slide show, and adjust the slide show settings.

Mount Kit Assembly



Helmet Mount

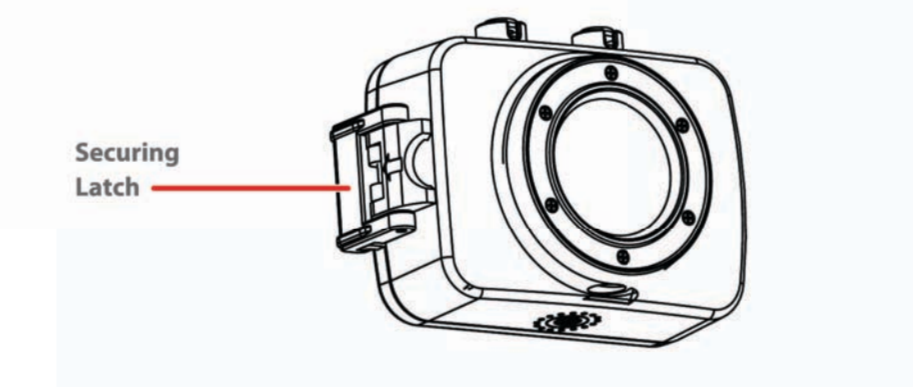
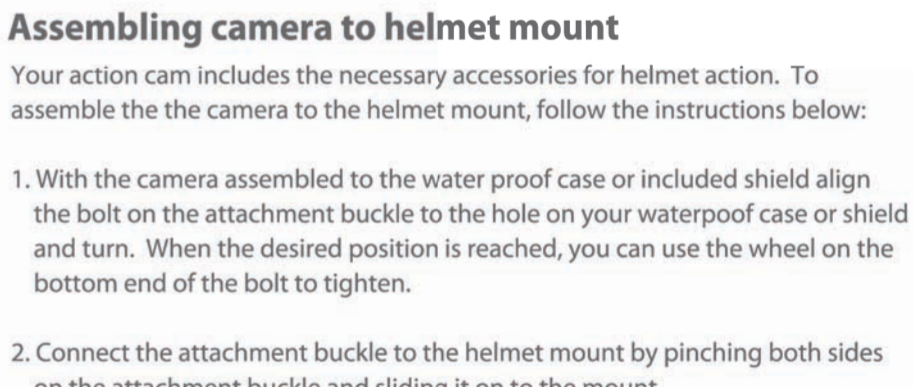
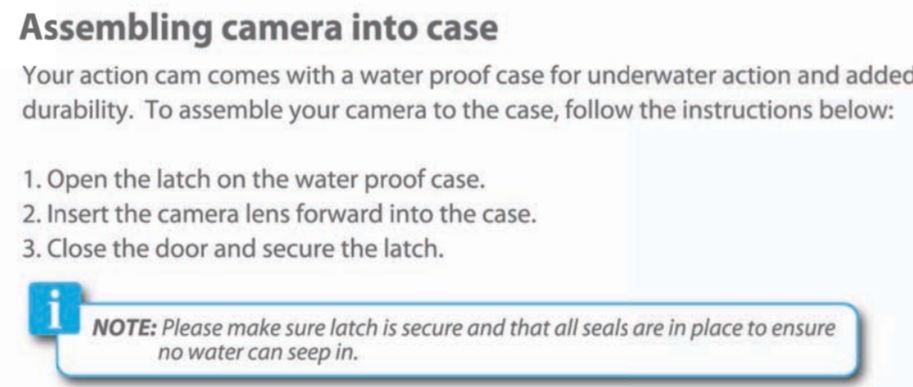
Bike Mount



Waterproof case

Bike Mount Assembly

Helmet assembly



FCC information

Limited Warranty

FCC Part 15: This device complies with Part 15 of the FCC Rules. Operation is subject to the following two conditions:
 (1) this device may not cause harmful interference, and
 (2) this device must accept any interference received, including interference that may cause undesired operation.
NOTE: Changes or modifications to this equipment not expressly approved by the party responsible for compliance could void the user's authority to operate the equipment.
NOTE: This equipment has been tested and found to comply with the requirements for a Class B digital device under Part 15 of the Federal Communications Commission (FCC) rules. These requirements are intended to provide reasonable protection against harmful interference in a residential installation. This equipment generates, uses and can radiate radio frequency energy and, if not installed and used in accordance with the instructions, may cause harmful interference to radio communications.
 However, there is no guarantee that interference will not occur in a particular installation. If this equipment does cause harmful interference to radio or television reception, which can be determined by turning the equipment off and on, the user is encouraged to try to correct the interference by one or more of the following measures:
 • Reorient or relocate the receiving antenna.
 • Increase the separation between the equipment and receiver.
 • Connect the equipment into an outlet on a circuit different from that to which the receiver is connected.
 • Consult the dealer or an experienced radio/TV technician for help.

In the unlikely event that this product is defective, or does not perform properly, you may within ninety (90) days from your original date of purchase return it to the authorized service center for repair or exchange.
TO OBTAIN WARRANTY SERVICE:
 • Provide proof of the date of purchase within the package (Dated bill of sale).
 • Prepay all shipping costs to the authorized service center, and remember to insure your return.
 • Include a return shipping address (no P.O. Boxes), a telephone contact number, and the defective unit within the package.
 • Describe the defect or reason you are returning the product.

Your product will be repaired or replaced, at our option, for the same or similar model of equal value if examination by the service center determines this product is defective. Products received damaged as a result of shipping will require you to file a claim with the carrier.
 The shipping address of the authorized service center is:
Southern Telecom, Inc.
Attention: Customer Service (2nd Floor)
14-C 53rd Street
Brooklyn, NY 11232
Customer Support:
 ☎ 1-877-768-8483 (Toll Free)
 ✉ cs@southerntelecom.com
 Monday - Thursday: 9AM - 5PM (EST)
 Friday: 9AM - 3PM (EST)
 www.southerntelecom.com

Warranty service not provided
 This warranty does not cover damage resulting from accident, misuse, abuse, improper installation or operation, lack of reasonable care, and unauthorized modification. This warranty is voided in the event any unauthorized person opens, alters or repairs this product. All products being returned to the authorized service center for repair must be suitably packaged.
Limitation of Warranty:
 • THE WARRANTY STATED ABOVE IS THE ONLY WARRANTY APPLICABLE TO THIS PRODUCT. ALL OTHER WARRANTIES, EXPRESS OR IMPLIED (INCLUDING ALL IMPLIED WARRANTIES OF MERCHANTABILITY OR FITNESS FOR A PARTICULAR PURPOSE) ARE HEREBY DISCLAIMED. NO VERBAL OR WRITTEN INFORMATION GIVEN BY A.T.I. INC.'S AGENTS, OR EMPLOYEES SHALL CREATE A WARRANTY OR IN ANY WAY INCREASE THE SCOPE OF THIS WARRANTY.
 • REPAIR OR REPLACEMENT AS PROVIDED UNDER THIS WARRANTY IS THE EXCLUSIVE REMEDY OF THE CONSUMER. A.T.I. INC. SHALL NOT BE LIABLE FOR INCIDENTAL OR CONSEQUENTIAL DAMAGES RESULTING FROM THE USE OF THIS PRODUCT OR ARISING OUT OF ANY BREACH OF ANY EXPRESS OR IMPLIED WARRANTY ON THIS PRODUCT. THIS DISCLAIMER OF WARRANTIES AND LIMITED WARRANTY ARE GOVERNED BY THE LAWS OF THE STATE OF NEW YORK, EXCEPT TO THE EXTENT PROHIBITED BY APPLICABLE LAW, ANY IMPLIED WARRANTY OF MERCHANTABILITY OR FITNESS FOR A PARTICULAR PURPOSE ON THIS PRODUCT IS LIMITED TO THE APPLICABLE WARRANTY PERIOD SET FORTH ABOVE.
 Some states do not allow the exclusion nor limitation of incidental or consequential damages, or limitations on how long an implied warranty lasts so the above limitations or exclusions may not apply to you. This warranty gives you specific legal rights, and you also may have other rights that vary from state to state.